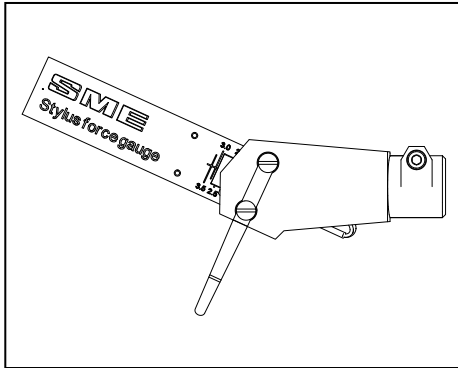


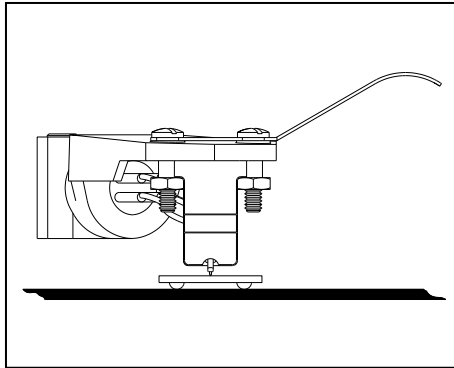
## USER INSTRUCTIONS - STYLUS FORCE GAUGE

The purpose of the Stylus Force Gauge is to provide a reasonably accurate means of setting Vertical Tracking Force (VTF), where either this has not been provided for in the pick-up arm design or the arm's VTF calibration has been compromised by the addition of mass to the balance weight system. Its principle is that of a simple balance beam with the fulcrum point being two hemispheres, for lateral stability, on the underside with a calibrated scale in the upper surface indicating the VTF setting.

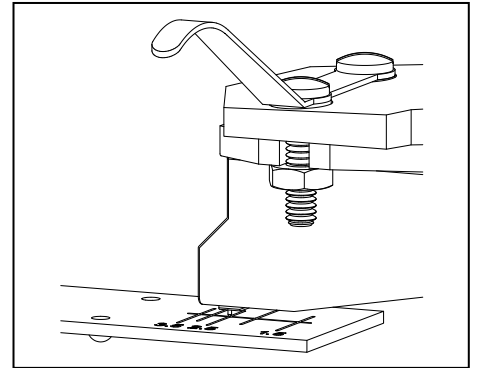
The pick-up arm should first of all be mounted on the turntable and set up completely according to the manufacturer's instructions apart from finalising the VTF setting. Place an old record on the turntable platter or if you prefer the underside of the SME Stroboscopic disk is ideal for this purpose and proceed as follows:



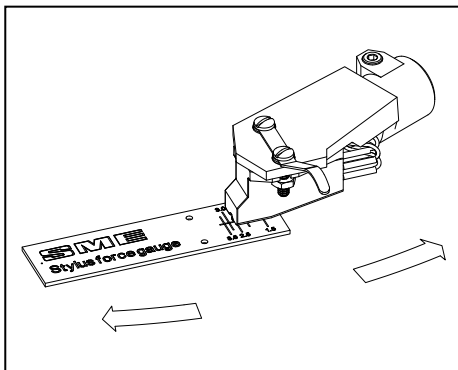
**100**  
Place the gauge on the platter and with the arm lift in the raised position. Move the arm across to align with the gauge longitudinally as shown.



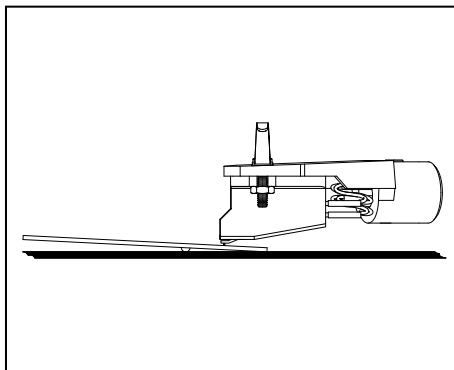
**101**  
Apply some VTF and lower the arm to contact the gauge using the arm's lowering and raising control. Gauge should always be used with the stylus on the centreline.



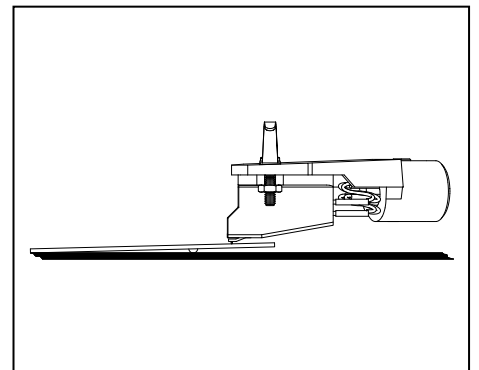
**102**  
The Stylus Force Gauge is calibrated from 1.5 to 3.5g thus covering the requirements of the majority of cartridges.



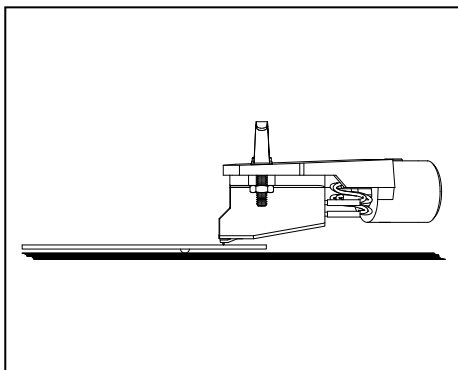
**103**  
Using the thumb and forefinger of both hands on the rim of the platter move the gauge under the stylus until condition 106 is achieved. Read off the actual VTF from the gauge.



**104**  
Too much VTF has been applied to achieve your desired setting. Decrease VTF a little and repeat instruction 103.



**105**  
Insufficient VTF has been applied to achieve your desired setting. Increase VTF a little and repeat instruction 103.



**106**  
The required VTF setting has been achieved and setting up is complete.